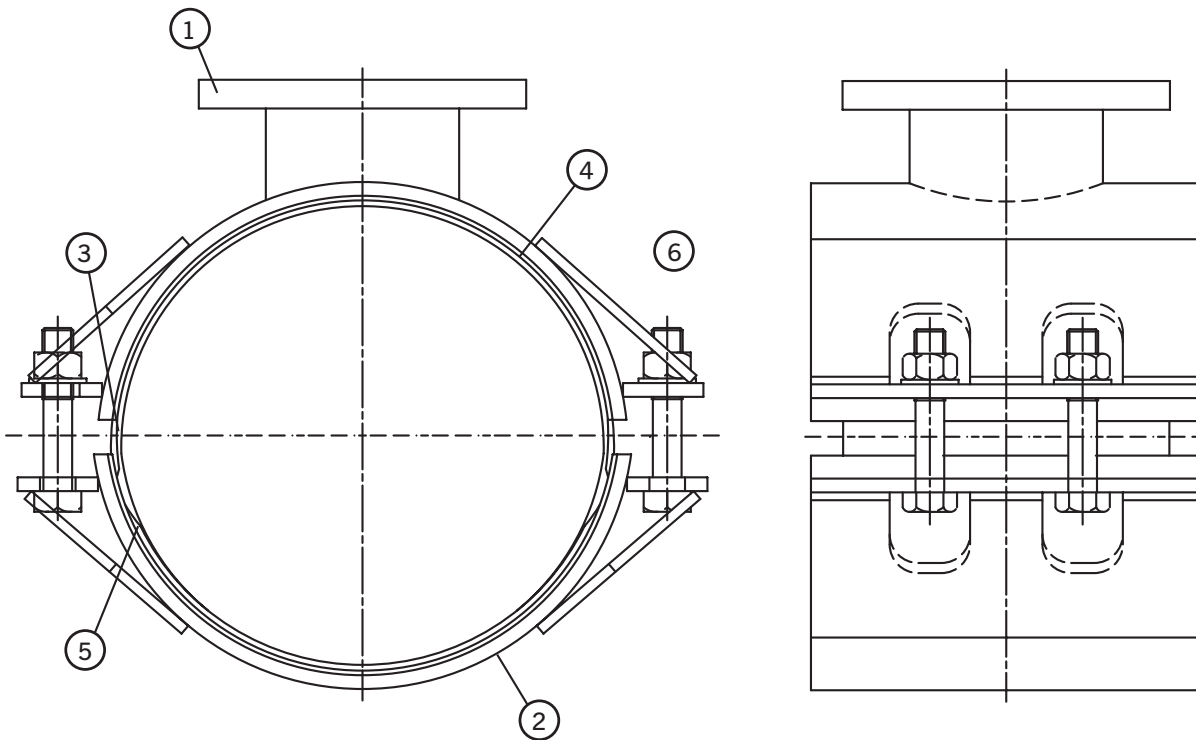


# MattSeal EasiTee

## Specifications



## Materials & Relevant Standards

### 1) Branch Housing

Steel BS EN10025-2:2004 Grade S275JR  
and Steel tube BS EN 10216-1:2002 Grade P265TR1  
BS EN 10255:2004

### 2) Plain Housing

Steel BS EN10025-2:2004 Grade S275JR

### 3) Bridging Plate

Stainless Steel BS1449:Part 2:1983 Grade 304S15

### 4) Saddle Gasket

60 IRHD EPDM to BS EN681-1: 1996

### 5) Housing Gasket

60 IRHD EPDM to BS EN681-1: 1996

### 6) Bolts, Nuts and Washers

**Bolts** - Steel BS EN ISO898-1:2009 Property Class 4.8

**Nuts** - Steel BS4190:2001 Grade 4

**Washers** - Steel BS EN10083:Part 1:1991 Grade C22E

### Finish Specification

1) **Branch Housing** - Rilsan Nylon II

2) **Plain Housing** - Rilsan Nylon II

MattSeal EasiTee products are manufactured to order. For detailed dimensional data please contact Viking Johnson.

Every effort has been made to ensure that the information contained in this publication is accurate at the time of publishing. Crane Ltd assumes no responsibility or liability for typographical errors or omissions or for any misinterpretation of the information within the publication and reserves the right to change without notice.